

**Mr Fuzzy™ Module**  
**by**  
**Lee Jackson**

Thank you for purchasing one of my favorite new products, these are the same designs as I use in my custom pedals.

These Modules are used by some of the top guitar players in the world, giving them the extra gain and edge to get their signature sounds.

Mr Fuzzy™ was designed with the idea of being a combination of Vintage and Modern Fuzz. I worked for years on such a design, and have developed a circuit that doesn't degrade the original sound, Mr Fuzzy™ enhances it with more Clarity and Definition., It can Clean up to a Sparkling Clean Sound by turning the volume of your guitar down. Mr Fuzzy™ will enhance your great Rhythm sound without dropping out all your Low End. Get ready for Chocrolately Luscious Solo's, and Endless Possibilities. Oh Yeah and for the Good part. Mr Fuzzy™ is completely discrete Germanium and Silicon Transistors,

**Operation:**

1. You can wire it true bypass (needs a DPDT switch), you can also use a control pot with a DPDT switch on the back of the pot.

Fuzz Control: (1k linear control pot - not included)  
The Fuzz Control Sets the overall Fuzz and Gain

Master Control:  
(Trim on back): Sets the overall Output of Mr Fuzzy™

Power:  
The modules can be powered by a single 9 v battery.  
You can power multiple modules on one battery.  
**Make Sure you unplug the Instrument after use to preserve battery life.**

These also can be use in self contained pedals,  
A couple jacks and a foot switch and your reedy to go.

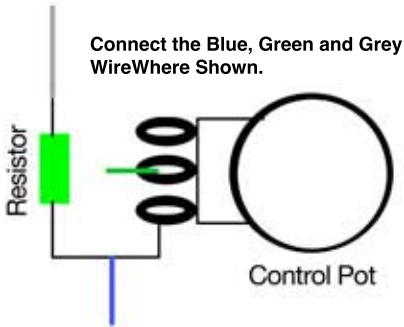
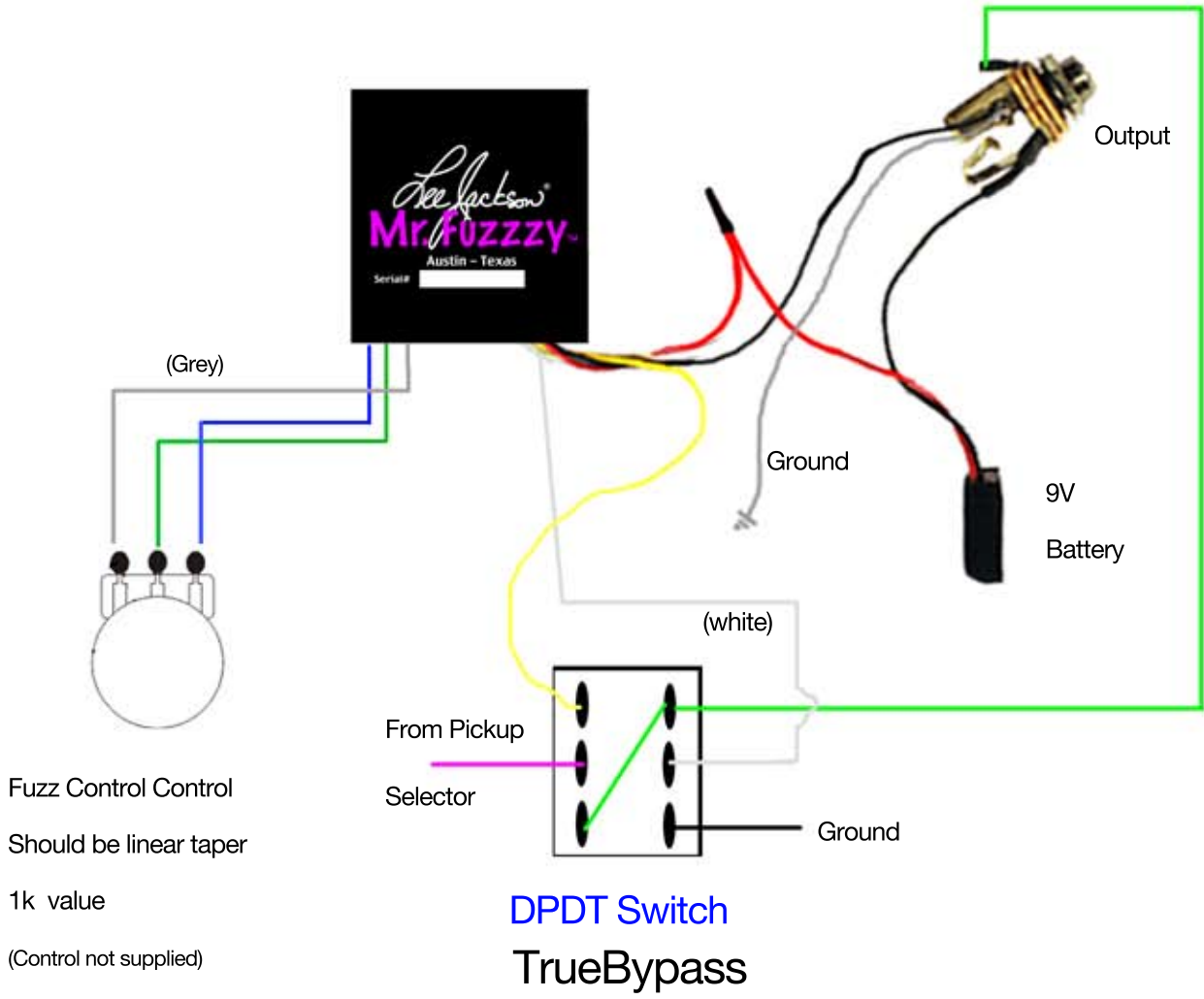


**2201 North Lamar #200**  
**Austin, Texas 78705**

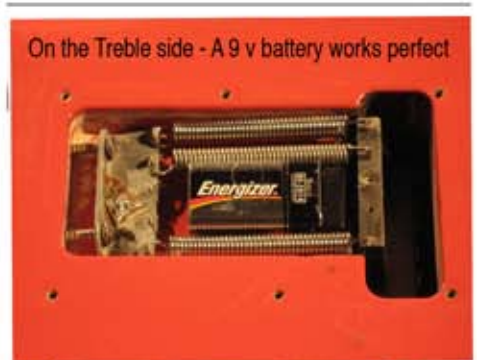
Lee Jackson and Metaltronix are registered Trademarks of Lee Jackson (R) 1983-2012



# Mr Fuzzzy™ Effects Module



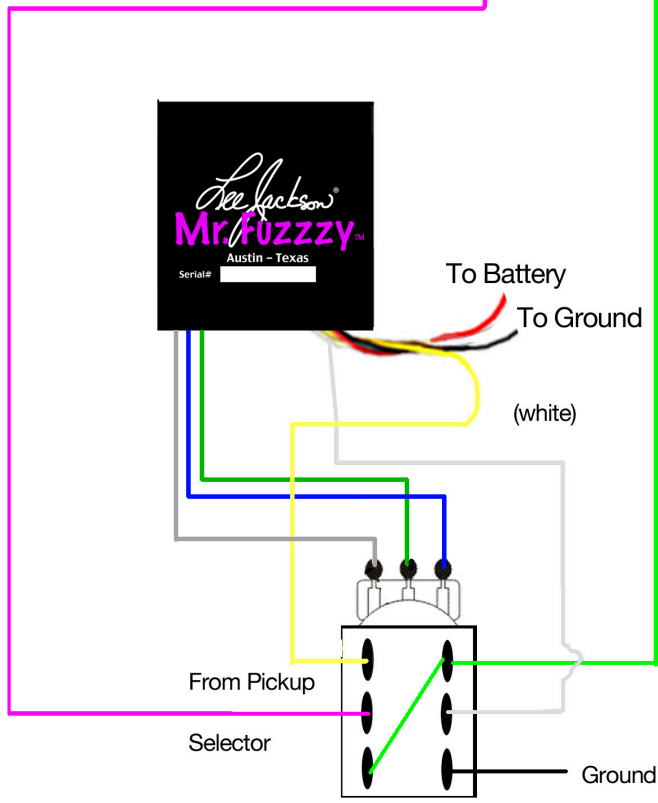
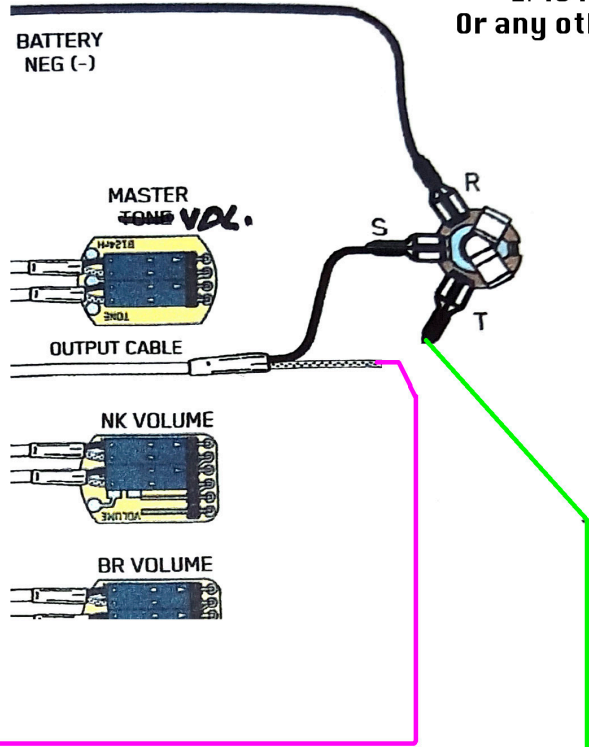
If you can not find a 1k Control pot, you can modify a pot by adding a 1k resistor .



## Places to put the battery



# EMG Active Pickups, Or any other Active Pickups



DPDT Switch